



BW

CAPTIVE CONE GLAND®

for SWA and Aluminium Armoured Cable

Features and Benefits

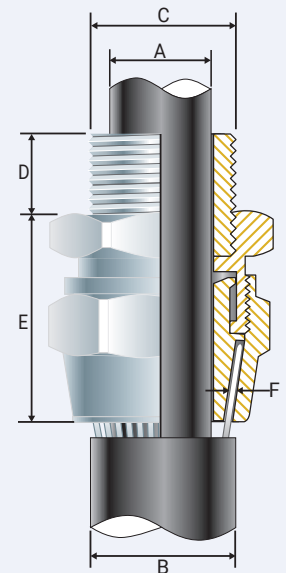
- For indoor use.
- Two part handling, no loose parts.
- Freely rotating captive cone, providing an armour clamp and earth bond without twisting the armouring.
- Precision manufactured from high quality brass (nickel plated) available in aluminium on request.
- Complete with heavy duty locknut.

Technical Data

Type:	BW	
Gland Material:	Brass (Nickel Plated) BS 2874, EN 12164 or Aluminium ASTM B221	
Cable Type:	Steel Wire Armour / Aluminium Armour Wire	
Armour Clamping:	Rotating Captive Cone	
Optional Accessories:	Adaptor, Reducer, Earth Tag, Locknut, Serrated Washer and Shroud	

Standards and Certifications

Mechanical Properties:	Impact Category 8 Anchorage Type D	
Electrical Properties:	Category A (no earth tag) Category B (with earth tag)	
Operating Temperature:	-60°C to +175°C (continuous)	
Conformance:	Standard:	Certificate:
Design Standards	BS 6121:Part 1 IEC/BS EN 62444 SANS 62444 SANS 1213	CML 14CA364 CML 14CA364 MASC 11-303 MASC 18-2047, SANS 2109/4596 SGS EMC197708/1
EMC Compatible:	EN 55011:2009 + A1:2010, EN 55022:2010	
Ingress Protection	IP2X (without a shroud)	
London Underground Approval	BS EN 62444	LU 3043



PATENTED



Installation Standards

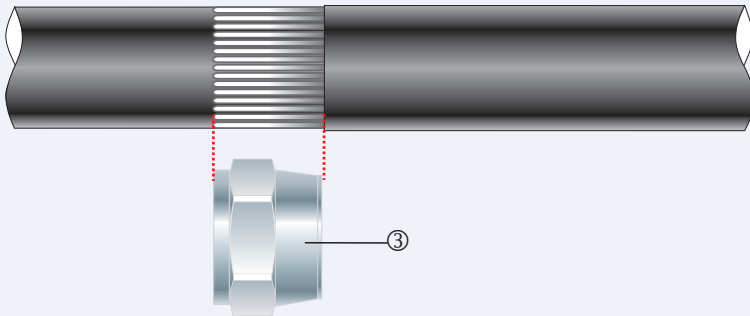
- AS/NZS 3000
- BS 6121-5
- BS 7671
- BS 7430
- IEC 60364-5-54
- SANS 0142

Product Code	Gland Size Reference	Metric Entry Thread		NPT Entry Thread		Cable Detail			Maximum Length 'E'	Armour Dia		Hexagonal Detail		Installation Torque Value Nm
		'C'	Min 'D'	'C'	Min 'D'	Max 'A'	Min 'B'	Max 'B'		Min 'F'	Max 'F'	Max 'Flats'	Max 'Crns'	
0503-0	0-20s	M20x1.5	10	1/2/3/4	15	12.0	11.5	16.0	23.0	0.90	1.25	▲ 22	25	35.0
050301	1-20	M20x1.5	10	1/2/3/4	15	15.0	14.5	20.5	26.0	0.90	1.25	▲ 25/27	28/30	35.0
050302	2-25	M25x1.5	10	3/4/1	15/19	20.0	20.5	26.5	29.0	1.25	1.60	▲ 35	39	50.0
050303	3-32	M32x1.5	10	1/1 1/4	19	26.5	26.5	33.5	32.0	1.60	2.00	▲ 42	47	70.0
050304	4-40	M40x1.5	15	1 1/4/1 1/2	19/21	34.0	33.0	42.5	36.0	1.60	2.00	▲ 52	59	90.0
050305	5-50	M50x1.5	15	1 1/2/2	21	44.5	42.5	52.5	45.0	2.00	2.50	▲ 65	73	100.0
050306	6-63	M63x1.5	15	2/2 1/2	21/30	56.5	52.5	65.5	50.0	2.00	2.50	▲ 80	90	120.0
050307	7-75	M75x1.5	15	2 1/2/3	30/32	67.5	65.5	78.0	60.0	2.50	3.15	▲ 96	108	120.0
050308	8-80	M80x2.0	20	3	32	74.0	78.0	82.0	65.0	2.50	3.15	▲ 96	108	120.0
050309	9-90	M90x2.0	20	3/3 1/2	32/33	81.5	82.0	91.0	69.0	3.00	3.50	▲ 111	125	120.0
050310	10-100	M100x2.0	20	3 1/2/4	33/34	91.0	90.0	100.0	88.0	3.00	3.50	♦ -	-	120.0
050311	11-110	M110x2.0	20	4	34	98.0	100.0	114.0	88.0	3.00	4.00	♦ -	-	120.0
050312	12-120	M120x2.0	20	-	-	103.0	103.0	118.0	100.0	3.00	4.00	♦ -	-	120.0
050313	13-130	M130x2.0	20	-	-	115.0	113.0	124.0	100.0	3.00	4.00	♦ -	-	120.0

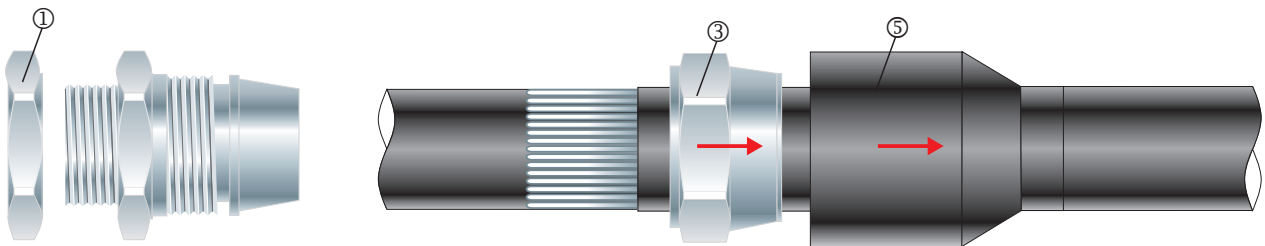
All dimensions are in mm.

- ▲ For use with a CCG Hex Spanner.
- ♦ For use with a CCG C Spanner.

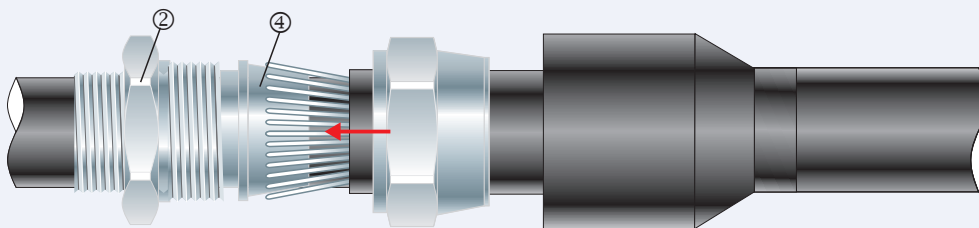
BW CAPTIVE CONE GLAND®



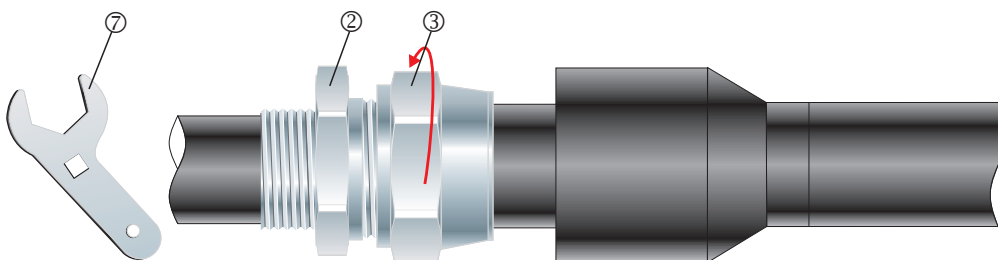
1. Cut back the cable outer sheath to expose the armour to a length not more than the outer ③.



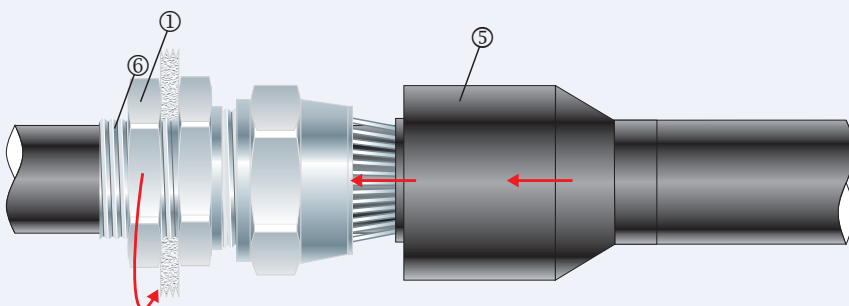
2. Remove the locknut ①. Slide the shroud ⑤ and the outer ③ over the cable.



3. Pass the cable end through the inner ② and splay the armour wires over the cone ④.



4. Tighten the outer ③ onto the inner ② to the installation torque using a CCG Spanner ⑦.



5. Insert the gland bush ⑥ into the cable entry of the apparatus and tighten the locknut ①. Slide the shroud ⑤ over the gland.