

# CCG Roof, Foundation and Newcastle Box

## for industrial areas



### Features and Benefits

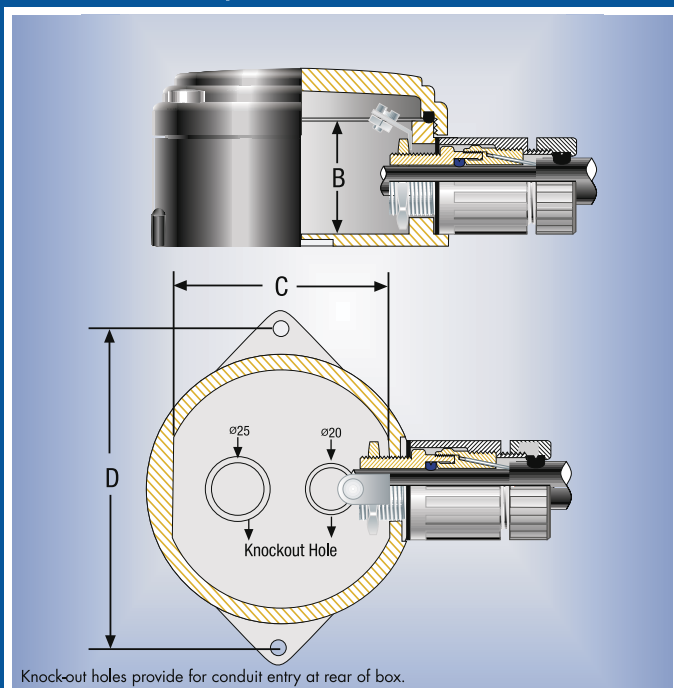
- For overhead or foundation single phase electrical municipal service connections.
- Screw-on lid provides ease of installation locked with a special key prevents unauthorized tampering.
- Roof box is mounted through corrugated iron or asbestos type roof sheeting.
- Foundation box is mounted against a foundation wall.
- Terminal connectors and Integral earth connector supplied with Roof Box.

### Technical Data

Type	Roof Box
Box Material	Impact corrosion and UV resistant glass reinforced polyester compound
Seal Material	Low Temp. Nitrile Rubber
Inserts	Brass

### Standards and Certifications

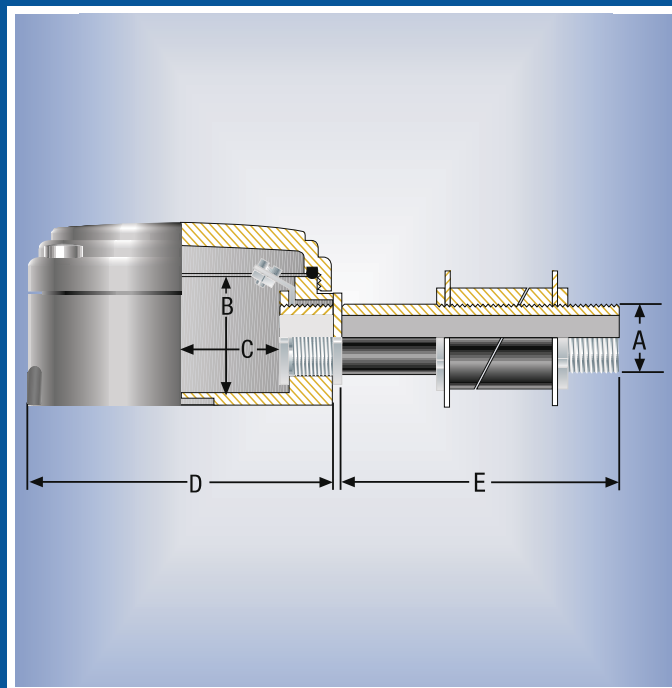
### CCG Foundation / Newcastle Box



Box Type	Product Code	Box Reference Size	Clear Inside Height 'B'	Clear Inside Distance 'C'	Distance of Fixing Holes 'D'
Foundation Box	102401	1	55	80	127
Foundation Box	102402	2	55	80	127
Newcastle Box	102802	2	66	110	158
Newcastle Box	102803	3	66	110	158

All dimensions are in mm.

### CCG Roof Box

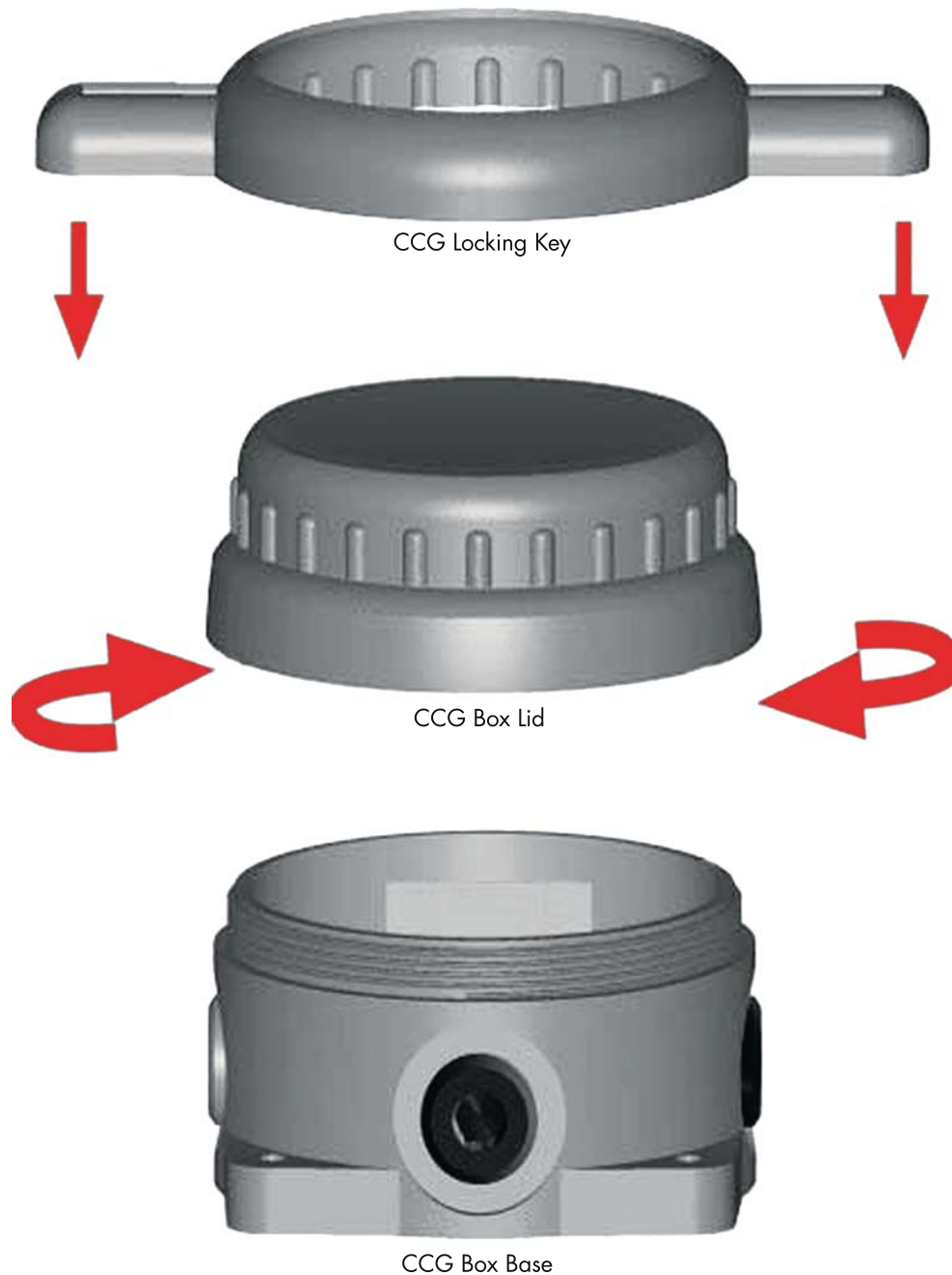


Product Code	Entry Thread	Clear Inside Height 'B'	Clear Inside Distance 'C'	External Diameter 'D'	Stem Protrusion 'E'
102700	M25	50	80	106	115

All dimensions are in mm.

## CCG Roof Box, Foundation and Newcastle

To make the box apparatus tamper proof, screw on tighten and lock lid in place by means of a CCG locking key.



Product Code

401501

Size Reference

1