



# HANDI FIT™

## JUNCTION BOX - IP66/68

for General Industrial and Mining Electrical Installations

### Features and Benefits

- Handi-Fit™ Box for general industrial and mining electrical installations.
- A screw-on lid provides ease of installation. Lid locking with a special key prevents unauthorized tampering.
- Supplied complete with a safety-securing lid lanyard.
- The raised domed lid facilitates connections to be made outside of the box.
- Only approved CCG cable glands and terminals must be used.
- No exposed metal parts.
- Dust and water proof to IP66/68 when used with CCG sealed cable glands.
- Integral retail cable gland thread entries.
- Internal earthing to all entries and rails is provided.
- Mounting studs are provided for DIN rail if using terminal blocks.
- DIN rail mounting studs are provided for use with terminal blocks.
- Handi-Fit™ Box can be buried for extended periods.
- 4-Way and H-Boxes with parallel entries are available on request.
- A red fire-rated box for emergency circuits is available (925°C for 3-hours).



### Technical Data

Type:	Handi Fit™ 4 Way Junction Box Handi Fit™ Y Junction Box Handi Fit™ H Junction Box
Box Material:	Impact, corrosion and UV resistant glass reinforced polyester compound
Optional Accessories:	Certified Terminals, Box Spanner (Lid Locking Key). Blanking plugs are provided

### Standards and Certifications

Service Temperature:	-60°C to +110°C	
Conformance:	Standard:	Certificate:
IEC/BS/EN	62208:2011	CML 17Y11251
SANS	62208:2012	MASC 16-1787
Impact Protection IK10	IEC/BS/EN 62262	CML 17Y11251
IP66/68 - 2m Protection	IEC/BS/EN 60529	CML 17Y11251
	SANS 60529	MASC 16-1787
Deluge Protection	DTS 01	CML 14CA370-1
Marine ABS	IEC 60529	ABS 20-SG1952738-PDA
DNV	IEC 60529	TAE0000011
Short Circuit Protection	IEC 60947-7-2, IEC 62444	CATAPULT OR/15/11677_2
Continuous Current Protection	IEC 60947-7-2	CATAPULT OR/15/11677_2
UV Protection	ISO 4892-2	
Zero Halogen	BS7211, BS 50267-2-1	TDW69-09-14
Flammability	UL94V-0	
London Underground Approval	IEC 62208, IEC 62262	LU 3057



### Conditions for safe use

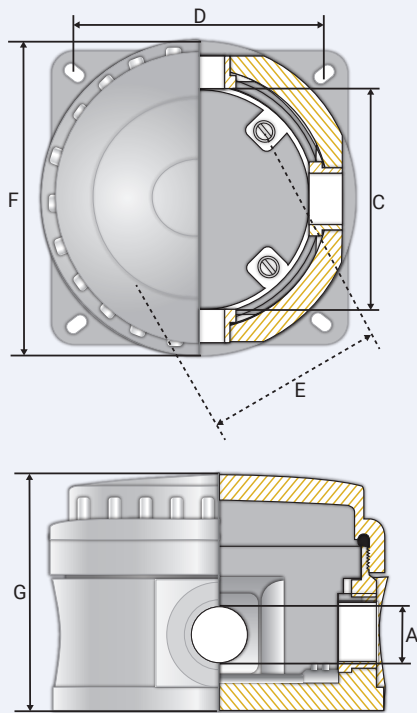
- The CCG lid locking key must be used to open and close units that do not have locking screws, such as "clear cover units".
- When fitted with the clear lid, the unit must be installed to prevent UV exposure to the internal components.
- Only the terminal blocks as per the description may be utilized in the junction box. Specific installation conditions as set by the terminal manufacturer or terminal certification must be considered. This includes considering the use of the applicable partitions and end plates for terminal blocks, conductor installation, tightening down terminal block screws, etc.
- Terminal blocks may only be utilized on the applicable rail and must allow sufficient space to make connections and to close the cover or lid.
- IP66/68 glands/plugs must be used in the threaded entries.
- Information in relation to entries is indicated in the instructions.

### Installation instructions for Handi Fit™ Box without components

- Installation must be carried out by a competent person in accordance with the relevant Wiring Codes of Practice.
- The box must not be modified in any way, as this will invalidate the certification.
- Where cables enter the box, they must be secured by CCG Cable Glands appropriate to the make-up of the cable.
- Unused entry apertures must be blanked with certified CCG Blanking Plugs.
- To maintain IP66/68 a thread seal gasket between the box and cable gland must be installed.
- Before replacing the lid, ensure the lid gasket is in place.
- The use of a CCG Box Spanner (Lid Locking Key) is required to maintain the tamper-proof integrity of the box; refer to Figure 1.

## 4-Way

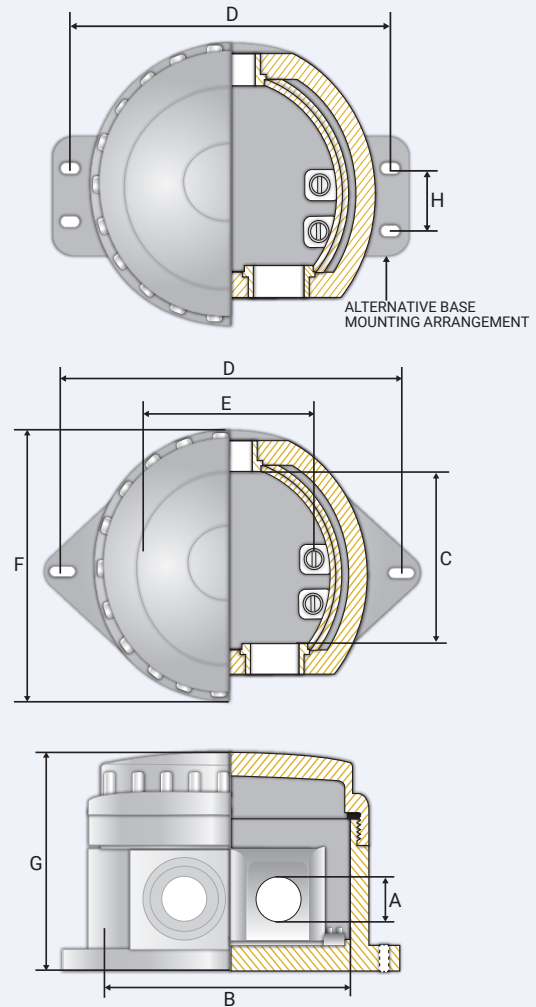
for general, industrial and mining electrical installations



PATENTED

## Y-Box

for general, industrial and mining electrical installations



PATENTED

Product Code	Entry Thread 'A'	Distance Between Inserts 'C'	Mounting Centres 'D'	Rail Mounting Centres 'E'	Outer Diameter 'F'	Max. Overall Height 'G'
0650-0-M16	* M16	71.00	79.00	65.00	100.00	78.00
0650-0	M20	71.00	79.00	65.00	100.00	78.00
065001-M16	* M16	88.00	92.00	80.00	118.00	98.00
065001	M20	88.00	92.00	80.00	118.00	98.00
065002-M16	* M16	108.00	107.00	98.00	140.00	114.00
065002-M20	* M20	108.00	107.00	98.00	140.00	114.00
065002	M25	108.00	107.00	98.00	140.00	114.00
065003-M16	* M16	166.00	167.00	150.00	206.00	142.00
065003-M20	* M20	166.00	167.00	150.00	206.00	142.00
065003-M25	* M25	166.00	167.00	150.00	206.00	142.00
065003	M32	166.00	167.00	150.00	206.00	142.00
065003-XL	* M32	166.00	167.00	150.00	206.00	170.00
065003-XL-M40	* M40	166.00	167.00	150.00	206.00	170.00
065004-M16	* M16	263.00	240.00	246.00	298.00	186.00
065004-M20	* M20	263.00	240.00	246.00	298.00	186.00
065004-M25	* M25	263.00	240.00	246.00	298.00	186.00
065004-M32	* M32	263.00	240.00	246.00	298.00	186.00
065004	M40	263.00	240.00	246.00	298.00	186.00

All dimensions are in mm.

\* Different arrangement of entry sizes are available on request as stated above.

Product Code	Entry Thread 'A'	Internal Dia. 'B'	Distance Between Inserts 'C'	Mounting Centres 'D'	Rail Mounting Centres 'E'	Outer Diameter 'F'	Max. Overall Height 'G'	Distance Between Mounting Holes 'H'
0651-0-M16	*M16	84.0	60.0	108.0	62.0	100.0	84.0	-
0651-0	M20	84.0	60.0	108.0	62.0	100.0	84.0	-
065101-M16	*M16	101.0	75.0	132.0	77.0	116.0	94.0	-
065101	M20	101.0	75.0	132.0	77.0	116.0	94.0	-
065102-M16	*M16	123.0	94.0	148.0	95.0	140.0	104.0	42.0
065102-M20	*M20	123.0	94.0	148.0	95.0	140.0	104.0	42.0
065102	M25	123.0	94.0	148.0	95.0	140.0	104.0	42.0
065103-M16	*M16	182.0	150.0	237.0	152.0	205.0	144.0	-
065103-M20	*M20	182.0	150.0	237.0	152.0	205.0	144.0	-
065103-M25	*M25	182.0	150.0	237.0	152.0	205.0	144.0	-
065103	M32	182.0	150.0	237.0	152.0	205.0	144.0	-

All dimensions are in mm.

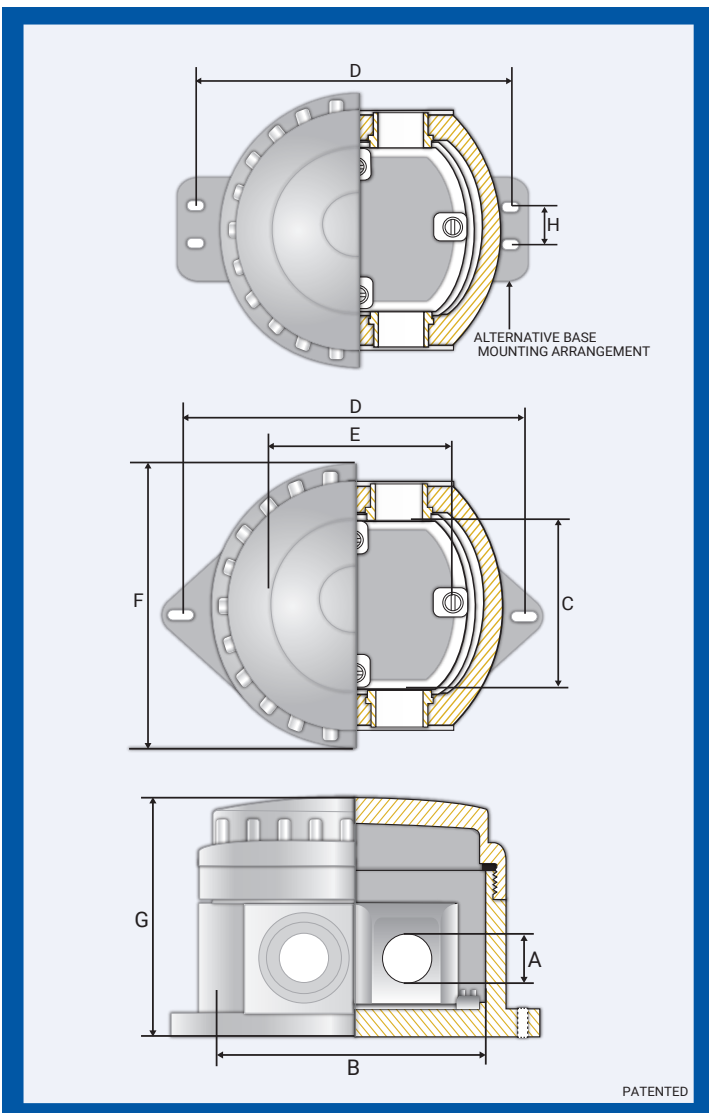
\* Different arrangement of entry sizes are available on request as stated above.

## H-Box

for general, industrial and mining electrical installations

## Tools /Accessories

for general, industrial and mining electrical installations



Product Code	Entry Thread 'A'	Internal Dia. 'B'	Distance Between Inserts 'C'	Mounting Centres 'D'	Rail Mounting Centres 'E'	Outer Diameter 'F'	Max. Overall Height 'G'	Distance Between Mounting Holes 'H'
065001-H-M16	*M16	103.0	69.0	130.0	85.0	116.0	93.0	-
065001-H	M20	103.0	69.0	130.0	85.0	116.0	93.0	-
065002-H-M16	*M16	124.0	78.0	148.0	104.0	138.0	110.0	42.0
065002-H-M20	*M20	124.0	78.0	148.0	104.0	138.0	110.0	42.0
065002-H	M25	124.0	78.0	148.0	104.0	138.0	110.0	42.0

All dimensions are in mm.

\* Different arrangement of entry sizes are available on request as stated above.

### Box Spanner (Lid Locking Key)

ADAPTOR LID LOCKING KEY



Product Code	Size Reference
4012-0	0
401201	1
401202	2

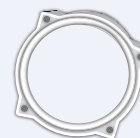
### Box Spanner (Lid Locking Key)

ADAPTOR LID LOCKING KEY



Product Code	Size Reference
401203	3

### Clear Lid



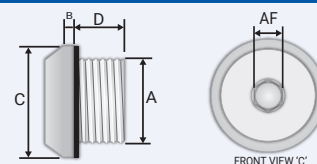
Product Code	Box Size
065001-4SW-CLR	1
065002-4SW-CLR	2
065003-4SW-CLR	3

### Pole Mounting Bracket



Product Code	Size Reference
401800	0
401801	1
401802	2
401803	3

### Non Metallic Plugs IP66/68 complete with washer



Product Code	Metric Dia 'A'	Metric Dia 'B'	Metric Dia 'C'	Metric Dia 'D'	Hex Size Max A/F	Torque Value Nm
352820	M20x1.5	28.0	22.0	12.0	10.0	7.0
352825	M25x1.5	33.0	25.0	15.0	10.0	9.0
352832	M32x1.5	40.0	35.0	15.0	10.0	12.0

# HANDI FIT™ JUNCTION BOX

## Wiring and installation instructions for Handi Fit™ Box with components

- Installation must be carried out by a competent person.
- Do not install under live current conditions.
- The box must not be modified in any way, as this will invalidate the certification.
- All wiring must be carried out in accordance with the relevant Codes of Practice.
- The wiring insulation must not extend by more than 1.0mm from the metal face of the terminal, as shown in Figure 2.
- The voltage and current value of the box must not be exceeded. See the relevant certificate for current limitations, conditions of use/schedule of limitations.
- Only those terminals shown in the terminal schedule may be incorporated in the box, refer to Table 1.
- The inner cable bedding must protrude into the box by a minimum of 20mm past the cable entry point.
- Not more than one single or multiple-strand lead shall be connected to either side of the terminals.
- Only earth conductors of equal size shall be connected with rail-mounted terminals.
- All terminal screws, used and unused, shall be tightened.
- A parallel shaft screwdriver of the correct size should be used for rail-mounted terminal screws.
- Where cables enter the box, they must be secured by CCG Cable Glands appropriate to the make-up of the cable.
- Unused entry apertures must be blanked with certified CCG Blanking Plugs.
- To maintain IP66/68 a thread seal gasket between the box and cable gland must be installed.
- Before replacing the lid, ensure the lid gasket is in place.
- The use of a CCG Box Spanner (Lid Locking Key) is required to maintain the tamper-proof integrity of the box; refer to Figure 1.

**TABLE 1**

Box Type	Box Size	Terminal Type and Size	Max Quantity	Rail Size
HandiFit 4 Way	0	4mm <sup>2</sup> mini terminal	6	15
HandiFit 4 Way	0	2.5 mm <sup>2</sup>	4	35
HandiFit 4 Way	1	2.5mm <sup>2</sup>	10	35
HandiFit 4 Way	1	4mm <sup>2</sup> mini terminal	8	15
HandiFit 4 Way	1	4mm <sup>2</sup>	8	35
HandiFit 4 Way	1	6mm <sup>2</sup>	6	35
HandiFit 4 Way	1	10mm <sup>2</sup>	5	35
HandiFit 4 Way	1	16mm <sup>2</sup>	4	35
HandiFit 4 Way	2	2.5mm <sup>2</sup>	12	35
HandiFit 4 Way	2	4mm <sup>2</sup> mini terminal	10	15
HandiFit 4 Way	2	4mm <sup>2</sup>	10	35
HandiFit 4 Way	2	6mm <sup>2</sup>	8	35
HandiFit 4 Way	2	10mm <sup>2</sup>	7	35
HandiFit 4 Way	2	16mm <sup>2</sup>	6	35
HandiFit 4 Way	2	35mm <sup>2</sup>	3	35
HandiFit 4 Way	2	35mm <sup>2</sup>	3	35
HandiFit 4 Way	3	4mm <sup>2</sup> mini terminal	14	15
HandiFit 4 Way	3	4mm <sup>2</sup>	16	35
HandiFit 4 Way	3	6mm <sup>2</sup>	12	35
HandiFit 4 Way	3	10mm <sup>2</sup>	12	35
HandiFit 4 Way	3	16mm <sup>2</sup>	10	35
HandiFit 4 Way	3	35mm <sup>2</sup>	6	35
HandiFit 4 Way	3	70mm <sup>2</sup>	5	35
HandiFit 4 Way	3	4mm <sup>2</sup> mini terminal	14	15
HandiFit 4 Way	4	2.5mm <sup>2</sup>	46	35
HandiFit 4 Way	4	4mm <sup>2</sup> mini terminal	35	15
HandiFit 4 Way	4	4mm <sup>2</sup>	32	35
HandiFit 4 Way	4	6mm <sup>2</sup>	28	35
HandiFit 4 Way	4	10mm <sup>2</sup>	23	35
HandiFit 4 Way	4	16mm <sup>2</sup>	18	35
HandiFit 4 Way	4	35mm <sup>2</sup>	14	35
HandiFit 4 Way	4	70mm <sup>2</sup>	10	35

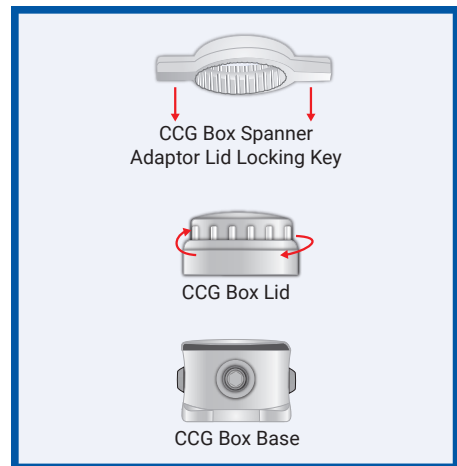
Box Type	Box Size	Terminal Type and Size	Max Quantity	Rail Size
HandiFit Y Box	0	4mm <sup>2</sup> mini terminal	6	15
HandiFit Y Box	1	2.5mm <sup>2</sup>	10	35
HandiFit Y Box	1	4mm <sup>2</sup> mini terminal	8	15
HandiFit Y Box	1	4mm <sup>2</sup>	8	35
HandiFit Y Box	1	6mm <sup>2</sup>	6	35
HandiFit Y Box	1	10mm <sup>2</sup>	5	35
HandiFit Y Box	2	2.5mm <sup>2</sup>	12	35
HandiFit Y Box	2	4mm <sup>2</sup> mini terminal	10	15
HandiFit Y Box	2	4mm <sup>2</sup>	10	35
HandiFit Y Box	2	6mm <sup>2</sup>	8	35
HandiFit Y Box	2	10mm <sup>2</sup>	7	35
HandiFit Y Box	2	16mm <sup>2</sup>	6	35
HandiFit Y Box	2	35mm <sup>2</sup>	3	35
HandiFit Y Box	3	2.5mm <sup>2</sup>	20	35
HandiFit Y Box	3	4mm <sup>2</sup> mini terminal	14	15
HandiFit Y Box	3	4mm <sup>2</sup>	16	35
HandiFit Y Box	3	6mm <sup>2</sup>	12	35
HandiFit Y Box	3	10mm <sup>2</sup>	12	35
HandiFit Y Box	3	16mm <sup>2</sup>	10	35
HandiFit Y Box	3	35mm <sup>2</sup>	6	35
HandiFit Y Box	3	70mm <sup>2</sup>	5	35

Box Type	Box Size	Terminal Type and Size	Max Quantity	Rail Size
HandiFit H Box	1	2.5mm <sup>2</sup>	10	35
HandiFit H Box	1	4mm <sup>2</sup> mini terminal	8	15
HandiFit H Box	1	4mm <sup>2</sup>	8	35
HandiFit H Box	1	6mm <sup>2</sup>	6	35
HandiFit H Box	1	10mm <sup>2</sup>	5	35
HandiFit H Box	1	16 mm <sup>2</sup>	4	35
HandiFit H Box	2	2.5mm <sup>2</sup>	12	35
HandiFit H Box	2	4mm <sup>2</sup> mini terminal	10	15
HandiFit H Box	2	4mm <sup>2</sup>	10	35
HandiFit H Box	2	6mm <sup>2</sup>	8	35
HandiFit H Box	2	10mm <sup>2</sup>	7	35
HandiFit H Box	2	16mm <sup>2</sup>	6	35
HandiFit H Box	2	35mm <sup>2</sup>	3	35

To ensure the box apparatus is tamper proof: Screw on, tighten and lock lid in place by means of a CCG Box Spanner (Lid Locking Key).

**FIGURE 1**



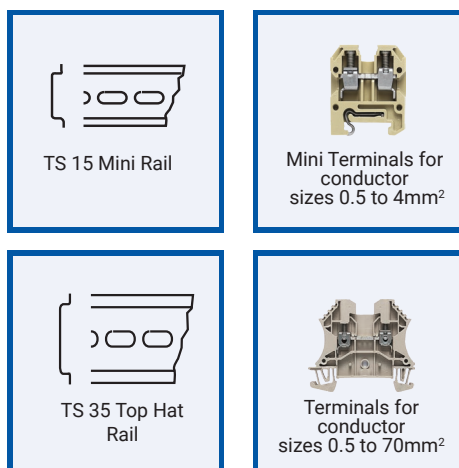
**CCG Box Spanner**

Product Code	Box Size
4012-0	0
401201	1
401202	2

**TABLE 2**

**VOLTAGE PER TERMINAL CONFIGURATION**

Terminals	Volt	Earth Terminals
AKZ 4	275V	AKE 4
WDU 2.5	550V	WPE 2.5
WDU 4	550V	WPE 4
WDU 6	550V	WPE 6
WDU 10	550V	WPE 10
WDU 16	550V	WPE 16
WDU 35	550V	WPE 35
WDU 70 N	550V	WPE 70 N



**FIGURE 2**

The wiring insulation must not extend by more than 1.0mm from the metal face of the terminal, as shown below.

