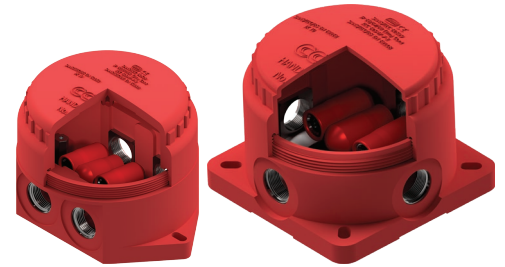


# HANDI FIT™ FIRE RATED

## JUNCTION BOX - IP66/68, 950°C, 3-Hours

for Emergency Circuits - Fire Rated



### Features and Benefits

- Handi-Fit™ Fire Rated Box for emergency circuits (950°C for 3-hours).
- Screw-on lid provides ease of installation. Lid locking with a special key prevents unauthorized tampering.
- Supplied complete with safety securing lid lanyard.
- Raised domed lid facilitates connections to be made outside of the box.
- Only approved CCG cable glands and terminals must be used.
- No exposed metal parts.
- Dust and waterproof to IP66/68 when used with CCG sealed cable glands.
- No drilling or tapping of cable entries required.
- Mounting studs provided for DIN rail if using Terminal Blocks.
- DIN Rail mounting studs are provided for use with terminal blocks.
- Internal earthing to all entries and rail provided.



### Technical Data

Type:	Handi Fit™ 4-Way Fire Rated Junction Box Handi Fit™ Y Fire Rated Junction Box Handi Fit™ H Fire Rated Junction Box
Optional Accessories:	Ceramic Terminals, Insulated Connectors, PTFE Washers, Box Spanner (Lid Locking Key). 4-Blanking plugs are provided
Box Material:	Impact, corrosion and UV resistant glass reinforced polyester compound

### Standards and Certifications

Continuous Temperature Rating	60°C to +160°C (Unfinished)	
Continuous Current Rating	32A - 192A	
Impact	20-Joules	
Fire Rated	BS 6387 - 950°C - 3 Hours	
Conformance:	Standard:	Certificate:
IEC/BS/EN	62208:2011	CML 17Y11251
SANS	62208:2012	MASC 16-1787
Impact Protection IK10	IEC/BS/EN 62262	CML 17Y11251
IP66/68 - 2m Protection	IEC/BS/EN 60529	CML 17Y11251
	SANS 60529	MASC 16-1787
Deluge Protection	DTS 01	CML 14CA370-1
Marine ABS	IEC 60529	ABS 20-SG1952738-PDA
DNV	IEC 60529	TAE0000011
Short Circuit Protection	IEC 60947-7-2, IEC 62444	CATAPULT OR/15/11677_2
Continuous Current Protection	IEC 60947-7-2	CATAPULT OR/15/11677_2
UV Protection	ISO 4892-2	
Zero Halogen	BS7211, BS 50267-2-1	TDW69-09-14
Flammability	UL94V-0	
London Underground Approval	IEC 62208, IEC 62262	LU 3057



### Conditions for safe use

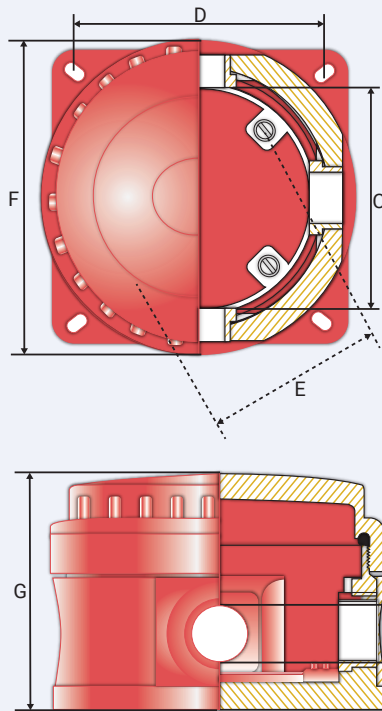
- The CCG lid locking key must be used to open and close the lid.
- Only ceramic terminal blocks or insulated connectors as per the description may be utilised in the junction box. Specific installation conditions, as set by the terminal manufacturer or terminal certification, must be considered. This includes considering the use of the applicable partitions and end plates for terminal blocks, conductor installation, tightening down terminal block screws, etc.
- Terminal blocks may only be utilized on the applicable rail and must allow sufficient space to make connections and to close the cover or lid.
- IP66/68 glands and plugs must be used in the threaded entries.
- Information in relation to entries is indicated in the instructions.

### Installation instructions for Handi Fit™ Fire Rated Box without components

- Installation must be carried out by a competent person.
- The box must not be modified in any way, as this will invalidate the certification.
- Where cables enter the box, they must be secured by CCG Cable Glands appropriate to the make-up of the cable.
- Unused entry apertures must be blanked with certified CCG Blanking Plugs.
- To maintain IP66/68 a thread seal gasket between the box and cable gland must be installed.
- Before replacing the lid, ensure the lid gasket is in place.
- The use of a CCG Box Spanner (Lid Locking Key) is required to maintain the tamper-proof integrity of the box.

## 4-Way

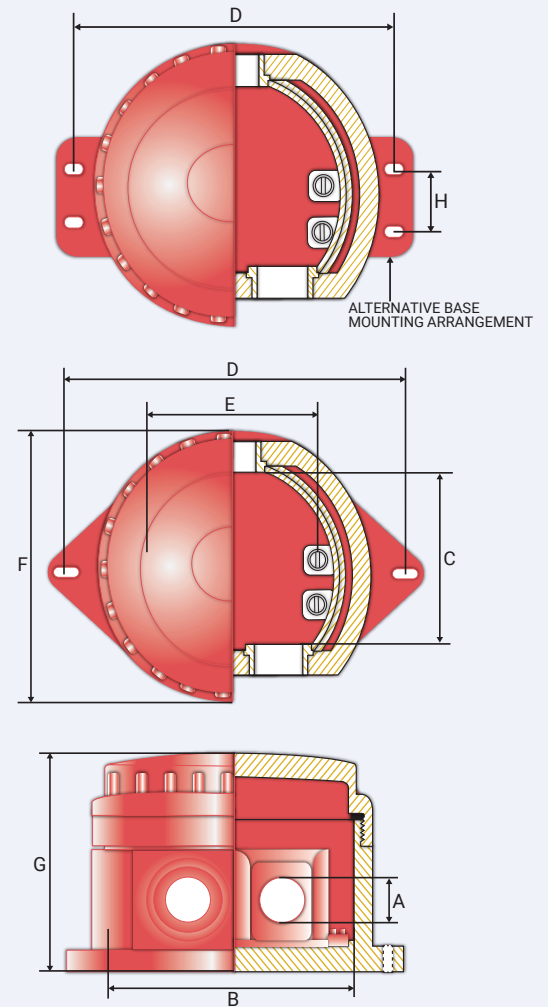
for emergency circuits - fire rated



PATENTED

## Y-Box

for emergency circuits - fire rated



PATENTED

Product Code	Entry Thread 'A'	Distance Between Centres 'C'	Mounting Centres 'D'	Rail Mounting Centres 'E'	Outer Diameter 'F'	Overall Height 'G'
0654-0-M16	* M16	71.0	79.0	65.0	100.0	78.0
0654-0	M20	71.0	79.0	65.0	100.0	78.0
065401-M16	* M16	88.0	92.0	80.0	118.0	98.0
065401	M20	88.0	92.0	80.0	118.0	98.0
065402-M16	* M16	108.0	107.0	98.0	140.0	114.0
065402-M20	* M20	108.0	107.0	98.0	140.0	114.0
065402	M25	108.0	107.0	98.0	140.0	114.0
065403-M16	* M16	166.0	167.0	150.0	206.0	142.0
065403-M20	* M20	166.0	167.0	150.0	206.0	142.0
065403-M25	* M25	166.0	167.0	150.0	206.0	142.0
065403	M32	166.0	167.0	150.0	206.0	142.0
065404-M16	* M16	263.0	240.0	246.0	298.0	186.0
065404-M20	* M20	263.0	240.0	246.0	298.0	186.0
065404-M25	* M25	263.0	240.0	246.0	298.0	186.0
065404-M32	* M32	263.0	240.0	246.0	298.0	186.0
065404	M40	263.0	240.0	246.0	298.0	186.0

All dimensions are in mm.

\* Different arrangement of entry sizes are available on request as stated above.

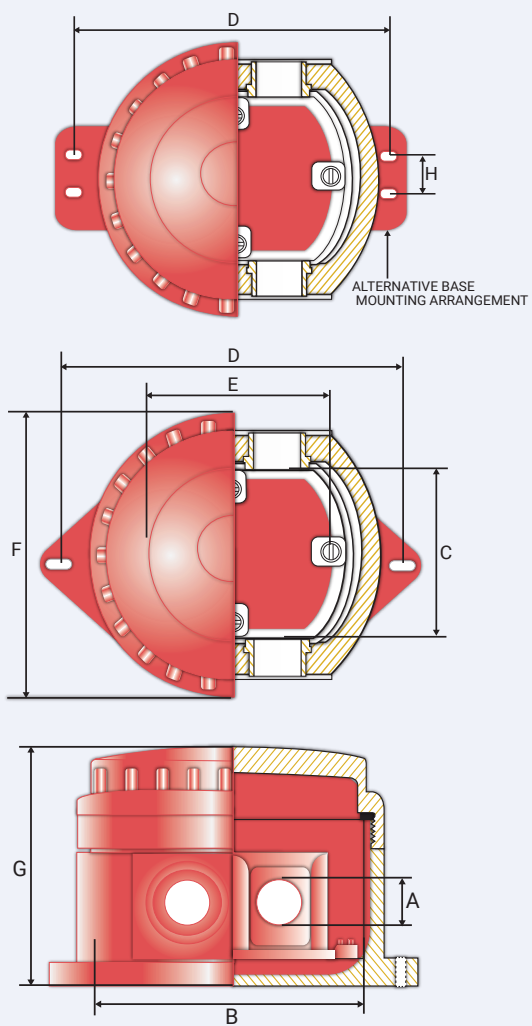
Product Code	Entry Thread 'A'	Internal Dia. 'B'	Distance Between Centres 'C'	Mounting Centres 'D'	Rail Mounting Centres 'E'	Outer Dia. 'F'	Overall Height 'G'	Distance Between Mounting Holes 'H'
0654-0-Y-M16	* M16	84.0	60.0	108.0	62.0	100.0	84.0	-
0654-0-Y	M20	84.0	60.0	108.0	62.0	100.0	84.0	-
065401-Y-M16	* M16	101.0	75.0	132.0	77.0	116.0	94.0	-
065401-Y	M20	101.0	75.0	132.0	77.0	116.0	94.0	-
065402-Y-M16	* M16	123.0	94.0	148.0	95.0	140.0	104.0	42.0
065402-Y-M20	* M20	123.0	94.0	148.0	95.0	140.0	104.0	42.0
065402-Y	M25	123.0	94.0	148.0	95.0	140.0	104.0	42.0
065403-Y-M16	* M16	182.0	150.0	237.0	152.0	205.0	144.0	-
065403-Y-M20	* M20	182.0	150.0	237.0	152.0	205.0	144.0	-
065403-Y-M25	* M25	182.0	150.0	237.0	152.0	205.0	144.0	-
065403-Y	M32	182.0	150.0	237.0	152.0	205.0	144.0	-

All dimensions are in mm.

\* Different arrangement of entry sizes are available on request as stated above.

## H-Box

for emergency circuits - fire rated



Product Code	Entry Thread 'A'	Internal Dia. 'B'	Distance Between Centres 'C'	Mounting Centres 'D'	Rail Mounting Centres 'E'	Outer Diameter 'F'	Overall Height 'G'	Distance Between Mounting Holes 'H'
065401-H-M16	*M16	103.0	69.0	130.0	85.0	116.0	93.0	-
065401-H	M20	103.0	69.0	130.0	85.0	116.0	93.0	-
065402-H-M16	*M16	124.0	78.0	148.0	104.0	138.0	110.0	42.0
065402-H-M20	*M20	124.0	78.0	148.0	104.0	138.0	110.0	42.0
065402-H	M25	124.0	78.0	148.0	104.0	138.0	110.0	42.0

All dimensions are in mm.

\* Different arrangement of entry sizes are available on request as stated above.

## Tools /Accessories

for emergency circuits - fire rated

### Box Spanner (Lid Locking Key)



Product Code	Box Size Reference
4012-0	0
401201	1
401202	2

### Box Spanner (Lid Locking Key)



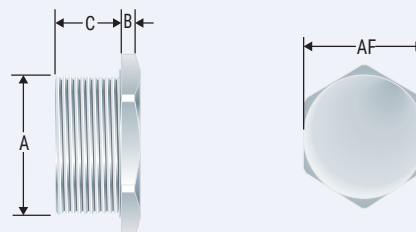
Product Code	Box Size Reference
401203	M32

### Pole Mounting Bracket



Product Code	Box Size Reference
401800	M20
401801	M20
401802	M25
401803	M32

### Metric - Hex Plug



Product Code	Dimension "A"	Dimension Min "B"	Dimension "C"	Dimension A/F Min *
PHM016E	M16	6.0	16.0	22.0
PHM020E	M20	6.0	16.0	25.0
PHM025E	M25	6.0	16.0	32.0
PHM032E	M32	6.0	16.0	38.0
PHM040E	M40	6.0	16.0	50.0
PHM050E	M50	6.0	16.0	60.0
PHM063E	M63	6.0	16.0	70.0
PHM075E	M75	6.0	16.0	80.0
PHM080E	M80x2P	6.0	20.0	90.0
PHM090E	M90x2P	6.0	20.0	100.0
PHM100E	M100x2P	6.0	20.0	110.0

All dimensions are in mm.

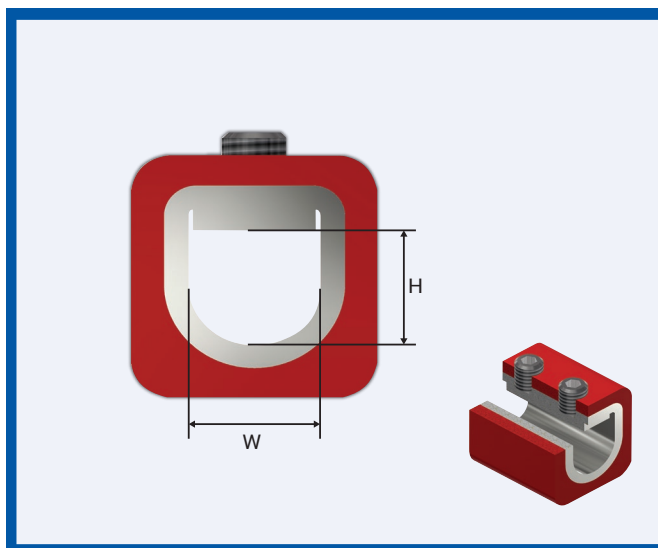
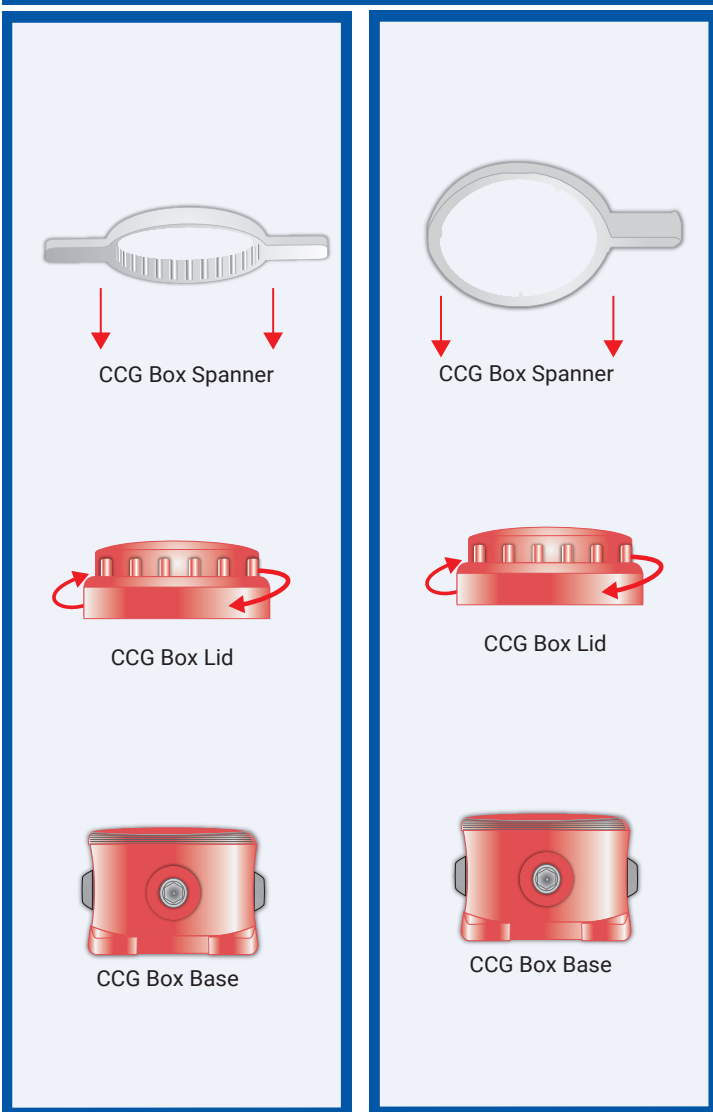
# HANDI FIT™ FIRE RATED JUNCTION BOX

## Wiring and installation instructions for Handi Fit™ Fire Rated Box with components

- Installation must be carried out by a competent person.
- Do not install under live current conditions.
- The box must not be modified in any way, as this will invalidate the certification.
- All wiring must be carried out in accordance with the relevant codes of practice.
- The voltage and current values of the box must not be exceeded. See the relevant certificate for current limitations for conditions of use or schedule of limitations.
- The inner cable bedding must protrude into the box by a minimum of 20mm past the cable entry point.
- Not more than one single or multiple-strand lead shall be connected to either side of the terminals.
- Only earth conductors of equal size shall be connected with rail-mounted terminals.
- All screws, used and unused, shall be tightened.
- A parallel shaft screwdriver of the correct size should be used for rail-mounted terminal screws.
- Where cables enter the box, they must be secured by CCG Cable Glands appropriate to the make-up of the cable.
- Unused entry apertures must be blanked with certified CCG Blanking Plugs.
- To maintain IP66/68 a thread seal gasket between the box and cable gland must be installed.
- Before replacing the lid, ensure the lid gasket is in place.
- The use of a CCG Box Spanner (Lid Locking Key) is required to maintain the tamper-proof integrity of the box, refer to Figure 1.

To ensure the box apparatus is tamper-proof, screw on, tighten, and lock the lid in place by means of a CCG Box Spanner (Lid Locking Key).

FIGURE 1



### INTERNAL CONNECTOR

Product Code	Size	Width 'W'	Height 'H'
680301	1	10.0	10.0
680302	2	9.5	13.5
680303	3	15.7	14.5
680304	4	15.7	17.6
680305	5	20.7	25.3

Cable Size	mm app. Ø Over Conductor (Below Insulation)	NUMBER OF CORES PER CONNECTOR				
		CONNECTOR				
		Size 1	Size 2	Size 3	Size 4	Size 5
1.5mm <sup>2</sup>	1.5	6	9	9	11/12	16/17
2.5mm <sup>2</sup>	2.0	5	6	7	8	12
4.0mm <sup>2</sup>	2.5	4	5	5/6	7	10
6.0mm <sup>2</sup>	3.0	3	4	4/5	5/6	8
10mm <sup>2</sup>	4.0	2	3	3/4	4	6
16mm <sup>2</sup>	5.0	2	2/3	3	3	5
25mm <sup>2</sup>	6.5	1	2	2	2	3/4
35mm <sup>2</sup>	7.5	1	1	1/2	2	3
50mm <sup>2</sup>	8.5	1	1	1	2	2/3
70mm <sup>2</sup>	10.0	1	1	1	1	2
95mm <sup>2</sup>	12.0	•	1	1	1	1
120mm <sup>2</sup>	13.5	•	1	1	1	1
150mm <sup>2</sup>	15.0	•	•	•	1	1
185mm <sup>2</sup>	16.5	•	•	•	1	1
240mm <sup>2</sup>	19.0	•	•	•	•	1
300mm <sup>2</sup>	21.5	•	•	•	•	1
400mm <sup>2</sup>	24.0	•	•	•	•	•
500mm <sup>2</sup>	27.5	•	•	•	•	•
630mm <sup>2</sup>	31.5	•	•	•	•	•

### CCG Box Spanner

Product Code	Box Size
4012-0	0
401201	1
401202	2

### CCG Box Spanner

Product Code	Box Size
401203	3