

BOTTOM ENTRY SWITCH BOX

IP66 - 16 Amp

for General Industrial Installations



Features and Benefits

- Combined switch and junction box for lighting.
- For safer and quicker maintenance of light fittings.
- Twin pole switch to break live and neutral circuits.
- Isolates each individual light.
- Visible red rotary switch.
- Padlock lockout facility for safety.
- Transparent IP66 cover to protect the switch from grit and grime.
- 3-Metal threaded bottom gland entries.
- Rail-mounted terminals or snap connectors are available.



Technical Data

Type:	Bottom Entry Switch Box™		
Rated Amps:	16A		
Rated Voltage:	240V		
Service Temperature:	-10°C to +70°C		
Box Material:	UV Resistant Glass Reinforced Polyester		
Switch Material:	Metal and Bakelite Housing, UV Resistant ABS Handle		
Earthing Material:	Nickel Plated Brass Inserts and Earth Plate		
Optional Accessories:	Certified Terminals, 3-Blanking Plugs		

Standards and Certifications

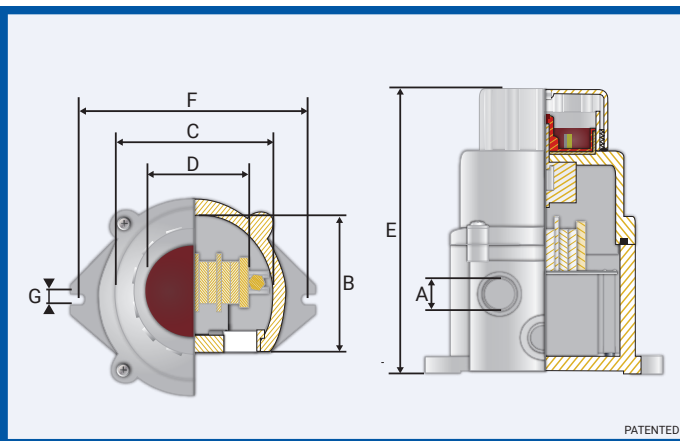
Low Voltage:	IEC 60947-3	
Air-Break Switch:	AS/NZS 3133	0619CCGA1202_3133
IP66:	IEC 60529	MASC 17-1832



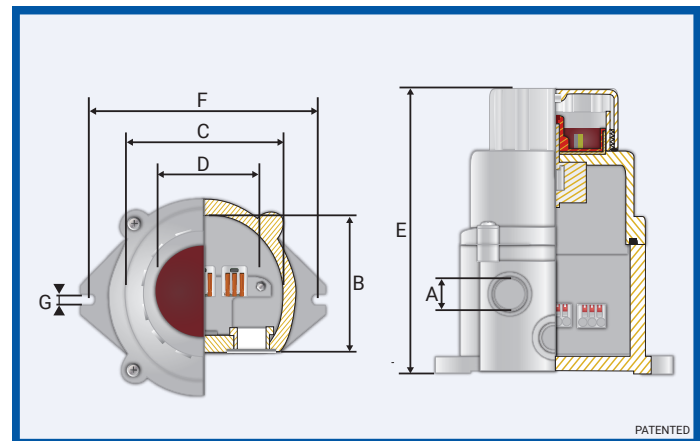
Installation instructions for Bottom Entry Switch Box

- Installation must be carried out by a competent person.
- The switch box must not be modified in any way.
- Where cables enter the box, they must be secured by IP-rated CCG Cable Glands appropriate to the make-up of the cable.
- To maintain IP66 a thread seal gasket between the box and cable gland must be installed.
- Before replacing the lid, ensure the lid gasket is in place.

Bottom Entry Switch Box with Rail Mounted Terminals



Bottom Entry Switch Box with Connectors



Bottom Entry Switch Box with Rail Mounted Terminals

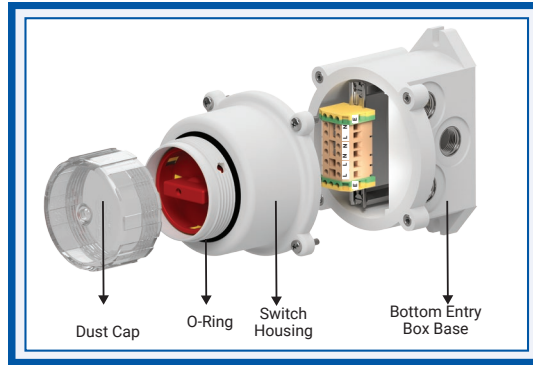
Product Code	Box Size Reference	Entry Thread 'A'	Internal Dimension 'B'	Internal Dimension 'C'	Rail Mounting Centres 'D'	Overall Height 'E'	Mounting Centres 'F'	Mounting Hole Dimension 'G'
065701A04P46P04B	20mm	M20 x 1.5	68.0	101.0	80.0	187.0	132.0	7.0

All dimensions are in mm.

Bottom Entry Switch Box with Connectors

Product Code	Box Size Reference	Entry Thread 'A'	Internal Dimension 'B'	Internal Dimension 'C'	Overall Height 'E'	Mounting Centres 'F'	Mounting Hole Dimension 'G'
065701C02F23N00B	20mm	M20 x 1.5	68.0	101.0	187.0	132.0	7.0

All dimensions are in mm.



1A with terminals



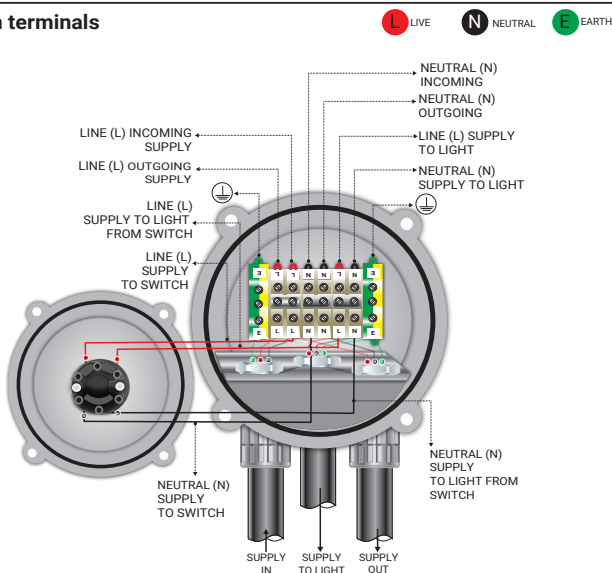
1. Remove the switch assembly by loosening the screws on the switch housing.

1B with connectors



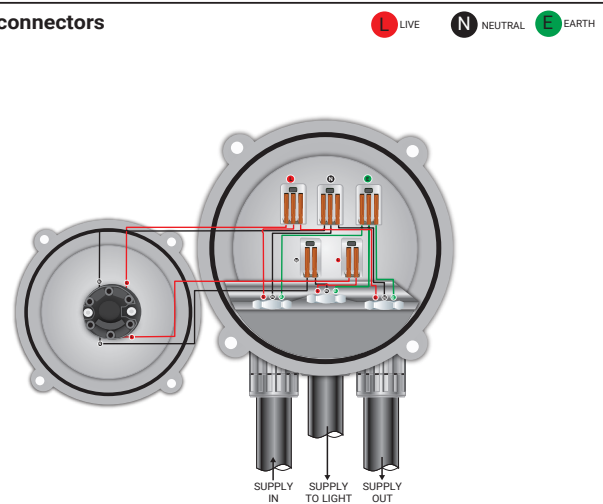
1. Remove the switch assembly by loosening the screws on the switch housing.

2A with terminals



2. Use a terminal screw driver to connect the live and neutral fly leads to the base of the terminals as indicated above.

2B with connectors



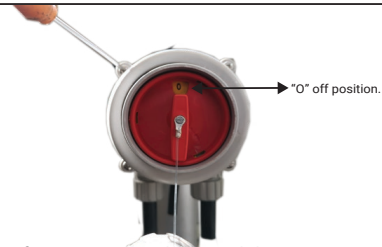
2. Connect the live and neutral fly leads to the base of the conductor connectors as indicated above.

3



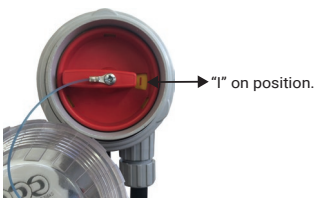
3. Replace the switch housing. Ensure that the off position "O" is on top.

4



4. Ensure that the four screws on the switch housing are tightened to maintain IP66.

5



5. Unscrew the dust cap and turn the switch to the 'I' position.

6



6. Hand tighten the dust cap.

7



7. The switch is supplied with a lockout facility which can be utilized when switching to the off "O" position.